




**SPRO**<sup>IP</sup>

# COLOUR NIGHT 2.0 DHIPD80/28LRW-M

8MP Smart Dual Illumination Fixed-focal  
 Eyeball Network Camera



|   |   |  |   |   |  |
|---|---|--|---|---|--|
| <br>8 MEGAPIXEL | <br>2.8 MM | <br>30m LED | <br>30m IR | <br>MICROPHONE | <br>IP67 |
|---|---|--|---|---|--|

**ONVIF**

**AOC**  
 AUDIO CAT5e CABLE

### Key Features:

- 8MP 1/2.7" CMOS image sensor, low luminance and high definition image
- Outputs max. 8MP (3840 x 2160 ) @20fps, and supports 2688 x 1520 @25/30 fps.
- H.265 codec, high compression rate, ultra-low bit rate.
- Built-in warm light and IR LED, the max. illumination distance is 30m and the max. warm light distance is 30m.
- ROI, SMART H.264+/H.265+, flexible coding, applicable to various bandwidth and storage environments.
- Rotation mode, WDR, 3D NR, HLC, BLC, digital watermarking, applicable to various monitoring scenes.
- Intelligent monitoring: intrusion, tripwire (the two functions support the classification and accurate detection of vehicle and human).
- Abnormality detection: Motion detection, video tampering, audio detection, no SD card, SD card full, SD card error, network disconnection, IP conflict, illegal access, and voltage detection.
- Supports max.256 G Micro SD card; built in MIC.
- 12 VDC/PoE power supply, easy for installation.
- IP67 protection
- SMD Plus

**AI PRO**  
 ARTIFICIAL INTELLIGENCE

### SPECIFICATIONS

|                        |                     |
|------------------------|---------------------|
| <b>Model Number</b>    | DHIPD80/28LRW-M     |
| <b>Image Sensor</b>    | 1/2.7" CMOS         |
| <b>Max. Resolution</b> | 3840 (H) x 2160 (V) |

(continued)

(continued)

|                                   |  |
|-----------------------------------|--|
| <b>ROM</b>                        | 128 MB   |
| <b>RAM</b>                        | 256MB  |
| <b>Scanning System</b>            | Progressive  |
| <b>Electronic Shutter Speed</b>   | Auto/Manual 1/3 s–1/100,000 s                      |
| <b>Min. Illumination</b>          | 0.008 lux@F1.6 (Color, 30 IRE)                     |
|                                   | 0.0008 lux@F1.6 (B/W, 30 IRE)                      |
|                                   | 0 lux (Illuminator on)                             |
| <b>S/N Ratio</b>                  | >56 dB   |
| <b>Illumination Distance</b>      | 30 m (98.43 ft) (IR); 30 m (98.43 ft) (Warm light) |
| <b>Illuminator On/Off Control</b> | Auto; Manual                                       |
| <b>Illuminator Number</b>         | 1 (IR LED); 1 (Warm light)                         |
| <b>Pan/Tilt/Rotation Range</b>    | Pan: 0°–360°                                       |
|                                   | Tilt: 0°–78°                                       |
|                                   | Rotation: 0°–360°                                  |

## Lens

|                             |                                  |
|-----------------------------|----------------------------------|
| <b>Lens Type</b>            | Fixed-focal                      |
| <b>Lens Mount</b>           | M12                              |
| <b>Focal Length</b>         | 2.8 mm;                          |
| <b>Max. Aperture</b>        | F1.6                             |
| <b>Field of View</b>        | 2.8 mm: H: 111°; V: 58°; D: 132° |
| <b>Iris Control</b>         | Fixed                            |
| <b>Close Focus Distance</b> | 2.8 mm: 1.5 m (4.92 ft)          |

| <b>DORI</b>     | Lens  | Detect            | Observe           | Recognize       | Identify        |
|-----------------|-------|-------------------|-------------------|-----------------|-----------------|
| <b>Distance</b> | 2.8mm | 84.8m (278.22 ft) | 33.9m (111.22 ft) | 17.0 (55.77 ft) | 8.5m (27.89 ft) |

(continued)

| Intelligence                        |  |
|-------------------------------------|--|
| <b>IVS ( Perimeter Protection )</b> | Intrusion, tripwire (the two functions support the classification and accurate detection of vehicle and human)   |
| <b>Smart Search</b>                 | Work together with Smart NVR to perform refine intelligent search, event extraction and merging to event videos  |
| Video                               |  |
| <b>Video Compression</b>            | H.265; H.264; H.264H; H.264B; MJPEG (Only supported by the sub stream)   |
| <b>Smart Codec</b>                  | Smart H.265+; Smart H.264+   |
| <b>Video Frame Rate</b>             | Main stream: 3840 × 2160 @(1–20 fps )/2688 × 1520@(1–25/30 fps)<br>sub stream: 704 × 576@(1–25 fps)/704 × 480@(1–30 fps)<br>*The values above are the max. frame rates of each stream;<br>for multiple streams, the values will be subjected to the total encoding capacity.   |
| <b>Stream Capability</b>            | 2 streams  |
| <b>Resolution</b>                   | 3840 × 2160 (3840 × 2160); 3072 × 2048 (3072 × 2048);<br>3072 × 1728 (3072 × 1728); 2880 × 1620 (2880 × 1620);<br>2688 × 1520 (2688 × 1520); 3M (2048 × 1536);<br>2304 × 1296 (2304 × 1296); 1080p (1920 × 1080);<br>1.3M (1280 × 960); 720p (1280 × 720); D1 (704 × 576/704 × 480);<br>VGA (640 × 480); CIF (352 × 288/352 × 240) |
| <b>Bit Rate Control</b>             | CBR/VBR  |
| <b>Video Bit Rate</b>               | H.264: 32 kbps–8192 kbps<br>H.265: 12 kbps–8192 kbps   |
| <b>Day/Night</b>                    | Auto(ICR)/Colour/B/W   |
| <b>BLC</b>                          | Yes  |
| <b>HLC</b>                          | Yes  |
| <b>WDR</b>                          | 120dB  |
| <b>White Balance</b>                | Auto; natural; street lamp; outdoor; manual; regional custom   |
| <b>Gain Control</b>                 | Auto; Manual   |

(continued)

|                                 |   |
|---------------------------------|---|
| <b>Noise Reduction</b>          | 3D NR   |
| <b>Motion Detection</b>         | OFF/ON (4 areas, rectangular)   |
| <b>Region of Interest (ROI)</b> | Yes (4 areas)   |
| <b>Smart Illumination</b>       | Yes   |
| <b>Image Rotation</b>           | 0°/90°/180°/270° (Support 90°/270° with 2688×1520 resolution and lower)   |
| <b>Mirror</b>                   | Yes   |
| <b>Privacy Masking</b>          | 4 areas   |
| <b>Audio</b>                    |   |
| <b>Built-in MIC</b>             | Yes   |
| <b>Audio Compression</b>        | G.711a; G.711Mu; PCM; G.726   |
| <b>Alarm</b>                    |   |
| <b>Alarm Event</b>              | No SD card; SD card full; SD card error; network disconnection; IP conflict; illegal access; motion detection; video tampering; tripwire; intrusion; audio detection; voltage detection; SMD; security exception  |
| <b>Network</b>                  |   |
| <b>Network Port</b>             | RJ-45 (10/100 Base-T)   |
| <b>SDK and API</b>              | Yes   |
| <b>Network Protocol</b>         | IPv4; IPv6; HTTP; TCP; UDP; ARP; RTP; RTSP; RTCP; RTMP; SMTP; FTP; SFTP; DHCP; DNS; DDNS; QoS; UPnP; NTP; Multicast; ICMP; IGMP; NFS; PPPoE; Bonjour  |
| <b>Interoperability</b>         | ONVIF (Profile S/Profile G/Profile T); CGI; P2P; Milestone  |
| <b>User/Host</b>                | 20 (Total bandwidth: 48 M)  |
| <b>Storage</b>                  | FTP; SFTP; Micro SD card (support max. 256 GB); NAS   |
| <b>Browser</b>                  | IE; Chrome; Firefox   |
| <b>Management Software</b>      | DMSS  |
| <b>Mobile Client</b>            | iOS; Android  |
| <b>Cyber Security</b>           | Configuration encryption; trusted execution; Digest; security logs; WSSE; account lockout; syslog; Video encryption; 802.1x; IP/MAC filtering; HTTPS; trusted upgrade; trusted boot; firmware encryption; generation and importing of X.509 certification |

(continued)

**Power**

|                          |  |
|--------------------------|--|
| <b>Power Supply</b>      | 12 VDC/PoE (802.3af)   |
|                          | Basic: 2.6 W (12 VDC); 3.3 W (PoE)   |
| <b>Power Consumption</b> | Max. (H.265+ max. resolution + max. stream+ WDR + warm light intensity + IVS): 5 W (12 VDC); 5.9 W (PoE) |

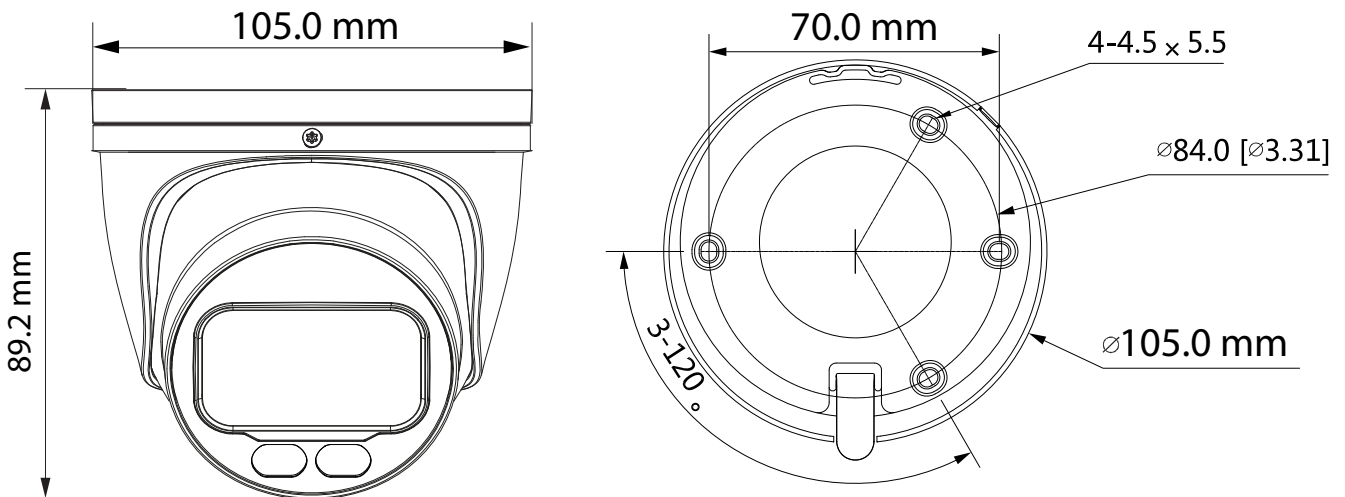
**Environment**

|                              |                                      |
|------------------------------|--------------------------------------|
| <b>Operating Temperature</b> | -40 °C to +55 °C (-40 °F to +131 °F) |
| <b>Operating Humidity</b>    | ≤95%                                 |
| <b>Storage Temperature</b>   | -40 °C to +60 °C (-40 °F to +140 °F) |
| <b>Storage Humidity</b>      | ≤95%                                 |
| <b>Protection</b>            | IP67                                 |

**Structure**

|                           |                     |
|---------------------------|---------------------|
| <b>Casing Material</b>    | Metal               |
| <b>Product Dimensions</b> | 89.2 mm × Φ105.0 mm |
| <b>Net Weight</b>         | 0.365 kg            |
| <b>Gross Weight</b>       | 0.527 kg            |

**Dimensions (mm[inch])**



All specifications are subject to change without notice. Copyright © Luxrite Ltd. All rights reserved