

SPRO[®]

DHD50/28RG/30-4-M

5MP Turret Camera With Microphone Built-in



5 MEGAPIXEL



2.8 MM



30m IR



MICROPHONE



IP67



Key Features:

- Max 25fps@5MP (16:9 video output)
- CVI/CVBS/AHD/TVI switchable
- 2.8 fixed lens
- Built-in mic
- Max. IR length 30m, Smart IR
- IP67, DC12V

SPECIFICATIONS

Model Number	DHD50/28RG/30-4-M
Image Sensor	5MP CMOS
Max. Resolution	2880 (H) x 1620 (V)
Pixel	5 MP
Scanning System	Progressive
Electronic Shutter Speed	PAL:1/25 s - 1/100000s NTSC: 1/30s - 1/100000s
S/N Ratio	> 65 dB
Min. Illumination	0.005 Lux/F1.6, 30IRE, 0 Lux IR on
Illumination Distance	30m (98.4ft)
Illuminator On/Off Control	Auto; manual

(continued)

Illuminator Number	1 (IR light)
Pan/Tilt/Rotation Range	Pan: 0°–360° Tilt: 0°–78° Rotation: 0°–360°

Lens

Lens Type	Fixed lens
Mount Type	M12
Focal Length	2.8mm;
Max. Aperture	F1.6
Field of View	2.8mm:H:111° V:58° D:132°
Iris Type	Fixed
Close Focus Distance	2.8 mm: 0.9 m (3.0 ft)

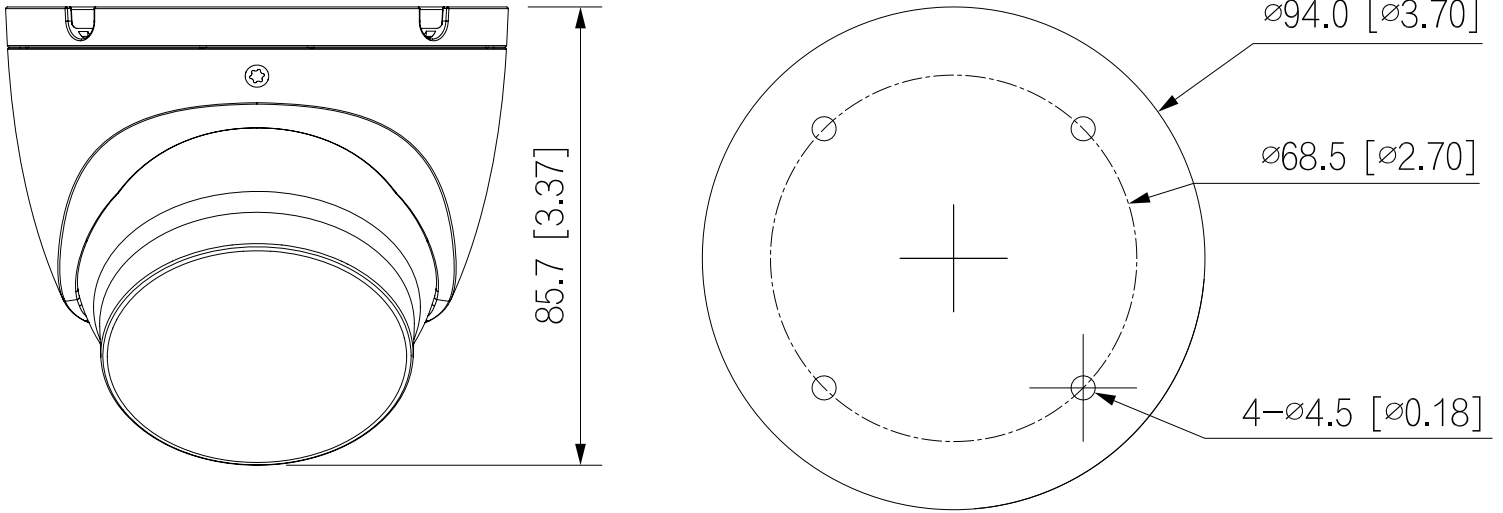
DORI	Lens	Detect	Observe	Recognize	Identify
Distance	2.8mm	63.6m (208.7 ft)	25.4m (83.3 ft)	12.7m (41.7 ft)	6.4m (21.0 ft)

Video

Frame Rate	CVI: PAL: 5M@25 fps; 4M@25 fps; 1080P@25 fps; NTSC: 5M@25 fps; 4M@30 fps; 1080P@30 fps AHD: PAL: 4M@25 fps; NTSC: 4M@30 fps TVI: PAL: 4M@25 fps; NTSC: 4M@30 fps CVBS: PAL: 960H; NTSC: 960H
-------------------	---

Resolution	5M (2880 × 1620); 4M (2560 × 1440); 1080P (1920 × 1080); 960 H (960 × 576/960 × 480)
Day/Night	Auto Switch by ICR
BLC	BLC/HLC/DWDR
WDR	DWDR
White Balance	Auto; Area WB
Gain Control	Auto/Manual
Noise Reduction	2D NR
Smart IR	Yes
Mirror	Off/On
Privacy Masking	Off/On (8 area, rectangle)
Certifications	
Certifications	CE (EN55032, EN55024, EN50130-4, EN62368-1) FCC (CFR 47 FCC Part 15 subpartB, ANSI C63.4-2014) UL (UL60950-1+CAN/CSA C22.2 No.60950-1)
Port	
Video Output	Video output choices of CVI/TVI/AHD/CVBS by one BNC port
Audio Input	One channel built-on mic
Power	
Power Supply	12V ±30% DC
Power Consumption	Max 3.2W (12V DC, IR on)
Environment	
Operating Temperature	-40°C to +60°C (-40°F to 140°F); < 95% (non-condensation)
Storage Temperature	-40°C to +60°C (-40°F to 140°F); < 95% (non-condensation)
Protection Grade	IP67
Structure	
Casing	Metal throughout the whole casing
Camera Dimensions	φ94.0 mm × 85.7 mm (φ3.70" × 3.37")
Net Weight	0.33 kg (0.73 lb)
Gross Weight	0.47 kg (1.04 lb)

Dimensions (mm[inch])



All specifications are subject to change without notice. Copyright © Luxrite Ltd. All rights reserved