

**SPRO**<sup>IP</sup>

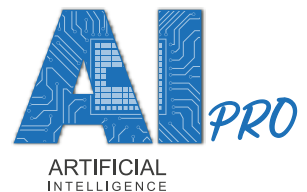
# COLOUR NIGHT 2.0 DHIPD80/28LRG-M

8MP Smart Dual Illumination Fixed-focal  
Eyeball Network Camera



## Key Features:

- 8MP 1/2.7" CMOS image sensor, low luminance and high definition image
- Outputs max. 8MP (3840 x 2160) @20fps, and supports 2688 x 1520 @25/30 fps.
- H.265 codec, high compression rate, ultra-low bit rate.
- Built-in warm light and IR LED, the max. illumination distance is 30m and the max. warm light distance is 30m.
- ROI, SMART H.264+/H.265+, flexible coding, applicable to various bandwidth and storage environments.
- Rotation mode, WDR, 3D NR, HLC, BLC, digital watermarking, applicable to various monitoring scenes.
- Intelligent monitoring: intrusion, tripwire (the two functions support the classification and accurate detection of vehicle and human).
- Abnormality detection: Motion detection, video tampering, audio detection, no SD card, SD card full, SD card error, network disconnection, IP conflict, illegal access, and voltage detection.
- Supports max.256 G Micro SD card; built in MIC.
- 12 VDC/PoE power supply, easy for installation.
- IP67 protection
- SMD Plus



## SPECIFICATIONS

<b>Model Number</b>	DHIPD80/28LRG-M
<b>Image Sensor</b>	1/2.7" CMOS
<b>Max. Resolution</b>	3840 (H) x 2160 (V)

(continued)

<b>ROM</b>	128 MB
<b>RAM</b>	256MB
<b>Scanning System</b>	Progressive
<b>Electronic Shutter Speed</b>	Auto/Manual 1/3 s–1/100,000 s
<b>Min. Illumination</b>	0.008 lux@F1.6 (Color, 30 IRE)
	0.0008 lux@F1.6 (B/W, 30 IRE)
	0 lux (Illuminator on)
<b>S/N Ratio</b>	>56 dB
<b>Illumination Distance</b>	30 m (98.43 ft) (IR); 30 m (98.43 ft) (Warm light)
<b>Illuminator On/Off Control</b>	Auto; Manual
<b>Illuminator Number</b>	1 (IR LED); 1 (Warm light)
<b>Pan/Tilt/Rotation Range</b>	Pan: 0°–360°
	Tilt: 0°–78°
	Rotation: 0°–360°

**Lens**

<b>Lens Type</b>	Fixed-focal
<b>Lens Mount</b>	M12
<b>Focal Length</b>	2.8 mm;
<b>Max. Aperture</b>	F1.6
<b>Field of View</b>	2.8 mm: H: 111°; V: 58°; D: 132°
<b>Iris Control</b>	Fixed
<b>Close Focus Distance</b>	2.8 mm: 1.5 m (4.92 ft)

<b>DORI</b>	Lens	Detect	Observe	Recognize	Identify
<b>Distance</b>	2.8mm	84.8m (278.22 ft)	33.9m (111.22 ft)	17.0 (55.77 ft)	8.5m (27.89 ft)

Intelligence	
<b>IVS ( Perimeter Protection )</b>	Intrusion, tripwire (the two functions support the classification and accurate detection of vehicle and human)
<b>Smart Search</b>	Work together with Smart NVR to perform refine intelligent search, event extraction and merging to event videos
Video	
<b>Video Compression</b>	H.265; H.264; H.264H; H.264B; MJPEG (Only supported by the sub stream)
<b>Smart Codec</b>	Smart H.265+; Smart H.264+
<b>Video Frame Rate</b>	Main stream: 3840 × 2160 @(1–20 fps )/2688 × 1520@(1–25/30 fps) sub stream: 704 × 576@(1–25 fps)/704 × 480@(1–30 fps) *The values above are the max. frame rates of each stream; for multiple streams, the values will be subjected to the total encoding capacity.
<b>Stream Capability</b>	2 streams
<b>Resolution</b>	3840 × 2160 (3840 × 2160); 3072 × 2048 (3072 × 2048); 3072 × 1728 (3072 × 1728); 2880 × 1620 (2880 × 1620); 2688 × 1520 (2688 × 1520); 3M (2048 × 1536); 2304 × 1296 (2304 × 1296); 1080p (1920 × 1080); 1.3M (1280 × 960); 720p (1280 × 720); D1 (704 × 576/704 × 480); VGA (640 × 480); CIF (352 × 288/352 × 240)
<b>Bit Rate Control</b>	CBR/VBR
<b>Video Bit Rate</b>	H.264: 32 kbps–8192 kbps H.265: 12 kbps–8192 kbps
<b>Day/Night</b>	Auto(ICR)/Colour/B/W
<b>BLC</b>	Yes
<b>HLC</b>	Yes
<b>WDR</b>	120dB
<b>White Balance</b>	Auto; natural; street lamp; outdoor; manual; regional custom
<b>Gain Control</b>	Auto; Manual

(continued)

<b>Noise Reduction</b>	3D NR
<b>Motion Detection</b>	OFF/ON (4 areas, rectangular)
<b>Region of Interest (ROI)</b>	Yes (4 areas)
<b>Smart Illumination</b>	Yes
<b>Image Rotation</b>	0°/90°/180°/270° (Support 90°/270° with 2688×1520 resolution and lower)
<b>Mirror</b>	Yes
<b>Privacy Masking</b>	4 areas
<b>Audio</b>	
<b>Built-in MIC</b>	Yes
<b>Audio Compression</b>	G.711a; G.711Mu; PCM; G.726
<b>Alarm</b>	
<b>Alarm Event</b>	No SD card; SD card full; SD card error; network disconnection; IP conflict; illegal access; motion detection; video tampering; tripwire; intrusion; audio detection; voltage detection; SMD; security exception
<b>Network</b>	
<b>Network Port</b>	RJ-45 (10/100 Base-T)
<b>SDK and API</b>	Yes
<b>Network Protocol</b>	IPv4; IPv6; HTTP; TCP; UDP; ARP; RTP; RTSP; RTCP; RTMP; SMTP; FTP; SFTP; DHCP; DNS; DDNS; QoS; UPnP; NTP; Multicast; ICMP; IGMP; NFS; PPPoE; Bonjour
<b>Interoperability</b>	ONVIF (Profile S/Profile G/Profile T); CGI; P2P; Milestone
<b>User/Host</b>	20 (Total bandwidth: 48 M)
<b>Storage</b>	FTP; SFTP; Micro SD card (support max. 256 GB); NAS
<b>Browser</b>	IE; Chrome; Firefox
<b>Management Software</b>	DMSS
<b>Mobile Client</b>	iOS; Android
<b>Cyber Security</b>	Configuration encryption; trusted execution; Digest; security logs; WSSE; account lockout; syslog; Video encryption; 802.1x; IP/MAC filtering; HTTPS; trusted upgrade; trusted boot; firmware encryption; generation and importing of X.509 certification

(continued)

**Power**

<b>Power Supply</b>	12 VDC/PoE (802.3af)
	Basic: 2.6 W (12 VDC); 3.3 W (PoE)
<b>Power Consumption</b>	Max. (H.265+ max. resolution + max. stream+ WDR + warm light intensity + IVS): 5 W (12 VDC); 5.9 W (PoE)

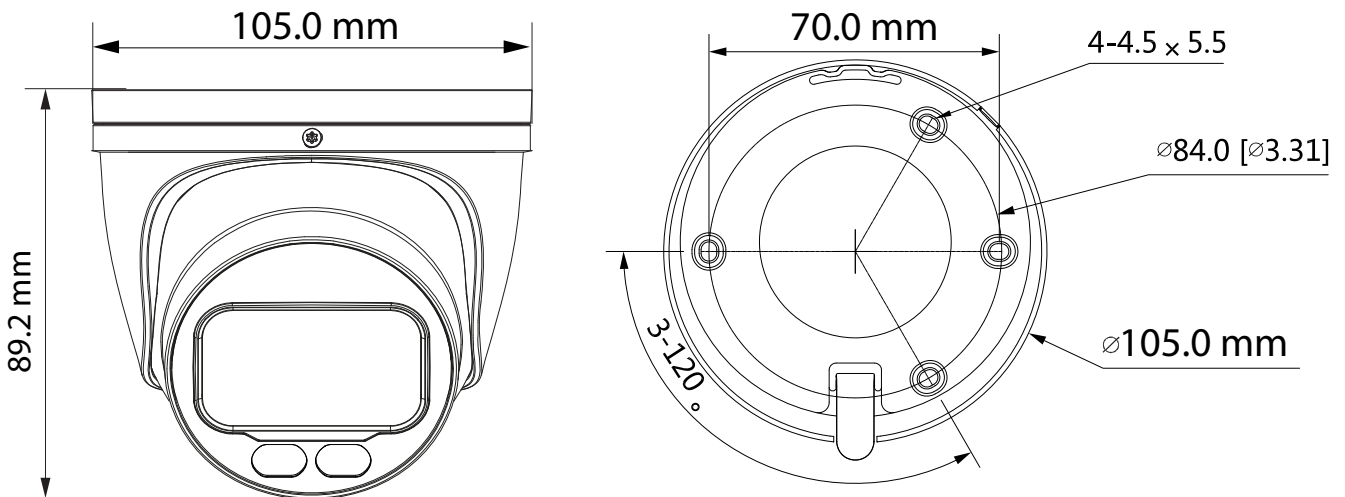
**Environment**

<b>Operating Temperature</b>	-40 °C to +55 °C (-40 °F to +131 °F)
<b>Operating Humidity</b>	≤95%
<b>Storage Temperature</b>	-40 °C to +60 °C (-40 °F to +140 °F)
<b>Storage Humidity</b>	≤95%
<b>Protection</b>	IP67

**Structure**

<b>Casing Material</b>	Metal
<b>Product Dimensions</b>	89.2 mm × Φ105.0 mm
<b>Net Weight</b>	0.365 kg
<b>Gross Weight</b>	0.527 kg

**Dimensions (mm[inch])**



All specifications are subject to change without notice. Copyright © Luxrite Ltd. All rights reserved