

**SPRO**<sup>®</sup>

# DHIPD80-FE

8MP IR Fisheye Camera



## Key Features:

- 8 MP 1/1.7" CMOS image sensor, low luminance, and high definition image.
- Outputs max. 8M (3280x2480) @25/30fps.
- Built-in IR LED, and the max. illumination distance is 10m.
- Intelligent monitoring: Intrusion, Tripwire, heat map and people counting.
- SMART H.264+/H.265+ flexible coding, applicable to various bandwidth and storage environments.
- Alarm: 2 in, 2 out; audio: 1 in, 1 out; supports max. 256 G Micro SD card; built-in dual-array Mic and speaker.
- 12 VDC/PoE power supply
- IP67 and IK10 protection.

## SPECIFICATIONS

<b>Model Number</b>	DHIPD80-FE
<b>Image Sensor</b>	3280 (H)x2480(V)
<b>Max. Resolution</b>	2 GB
<b>ROM</b>	4GB
<b>RAM</b>	Progressive
<b>Scanning System</b>	Progressive
<b>Electronic Shutter Speed</b>	Auto/Manual 1/3 s-1/100000s
<b>Min. Illumination</b>	0.01 Lux@F2.0 (Color, 30 IRE)
	0.001 Lux@F2.0 (B/W, 30 IRE)
	0 Lux (Illuminator on)
<b>S/N Ratio</b>	> 56 dB

(continued)

<b>Illumination Distance</b>	10 m (32.81 ft) (IR)
<b>Illuminator On/Off control</b>	Auto/Manual
<b>Illuminator Number</b>	3 (IR LED)

### Lens

<b>Lens Type</b>	Fixed-focal
<b>Lens Mount</b>	M12
<b>Focal Length</b>	1.85mm
<b>Max. Aperture</b>	F2.0
<b>Field of View</b>	Horizontal: 185°; Vertical: 180°
<b>Iris Control</b>	Fixed
<b>Close Focus Distance</b>	0.4m 1.31 ft

DORI	Lens	Detect	Observe	Recognize	Identify
<b>DISTANCE</b>	2.8mm	63.6m (208.7 ft)	25.4m (83.3 ft)	12.7m (41.7 ft)	6.4m (21.0 ft)
	3.6mm	80.0m (262.5 ft)	32.0m (105.0 ft)	16.0m (52.5 ft)	8.0m (26.2 ft)

### Smart Event

<b>Heat Map</b>	Yes
-----------------	-----

### Professional, intelligent

<b>IVS (Perimeter Protection)</b>	Intrusion; tripwire
<b>People Counting</b>	<p>Supports 4 rules to count the number of people entering, exiting, and staying separately. It will trigger alarm linkage when the number of people who entering, exiting or staying exceeds the threshold. It can display and export reports based on year, month, day, week, day or custom time.</p> <p>Supports 4 rules to count the number of people in area and will trigger alarm linkage when the average strand time or people number in the area exceeds the threshold. It can display and export reports based on year, month, day, week, day or custom time.</p>

<b>Smart Search</b>	Work together with Smart NVR to perform refine intelligent search, event extraction and merging to event videos
---------------------	---

Video	
<b>Video Compression</b>	H.265; H.264; H.264H; MJPEG (Only supported by the sub stream)
<b>Smart Codec</b>	Smart H.265+; Smart H.264+
<b>Video Frame Rate</b>	<p>Main stream: 3280 × 2480@(1–25/30 fps)</p> <p>sub stream: 704 × 576@(1–25/30 fps)</p> <p>third stream: 1280 × 960@(1–25/30 fps)</p> <p>Fisheye mode:</p> <p>1O (3280 × 2480)</p> <p>1P (4096 × 1024)</p> <p>2P (2432 × 2432)</p> <p>1R (1216 × 1216)</p> <p>2R (2432 × 2432)</p> <p>4R (2432 × 2432)</p> <p>1O + 3R (2432 × 2432)</p> <p>*The values above are the max. frame rates of each stream; for multiple streams, the values will be subjected to the total encoding capacity.</p>
<b>Stream Capability</b>	3 streams
<b>Resolution</b>	3280 × 2480; 2880 × 2160; (3M) 2048 × 1536; 1.3M (1280 × 960); D1 (704 × 576/704 × 480); CIF (352 × 288/352 × 240)
<b>Bit Rate Control</b>	CBR/VBR
<b>Video Bit Rate</b>	H264: 8 kbps–1 6384 kbps H265: 3 kbps–13891 kbps
<b>Day/Night</b>	Auto(ICR)/Colour/B/W
<b>BLC</b>	Yes
<b>HLC</b>	Yes
<b>WDR</b>	DWDR
<b>White Balance</b>	Auto; natural; street lamp; outdoor; manual; regional custom
<b>Gain Control</b>	Auto
<b>Noise Reduction</b>	3D NR
<b>Motion Detection</b>	OFF / ON (4 Areas, rectangular)

<b>Region of Interest (RoI)</b>	Yes (4 areas)
<b>Defog</b>	Yes
<b>Privacy Masking</b>	4 areas
<b>Audio</b>	
<b>Built-in MIC</b>	Yes
<b>Audio Compression</b>	PCM; G.711A; G7.11Mu; G.726; G.723
<b>Alarm</b>	
<b>Alarm Event</b>	No SD card; SD card full; SD card durability warning; SD card error; network disconnection; IP conflict; illegal access; motion detection; video tampering; tripwire; intrusion; scene changing; audio detection; voltage detection; external alarm; people counting in area; stay detection; people counting; security exception
<b>Network</b>	
<b>Network Port</b>	RJ-45 (10/100/1000 Base-T)
<b>SDK and API</b>	Yes
<b>Cyber Security</b>	Video encryption; firmware encryption; configuration encryption; Digest; WSSE; account lockout; security logs; IP/MAC filtering; generation and importing of X.509 certification; syslog; HTTPS; 802.1x; trusted boot; trusted execution; trusted upgrade IPv4; IPv6; HTTP; TCP; UDP; ARP; RTP; RTSP; RTCP; RTMP; SMTP;
<b>Network Protocol</b>	FTP; SFTP; DHCP; DNS; DDNS; QoS; UPnP; NTP; Multicast; ICMP; IGMP; NFS; SAMBA; PPPoE; SNMP
<b>Interoperability</b>	ONVIF (Profile S/ProfileG/Profile T); CGI; Milestone; Genetec; P2P (Only supported by general version)
<b>User/Host</b>	20
<b>Storage</b>	FTP; SFTP; Micro SD card (support max. 256 G); NAS
<b>Browser</b>	IE: IE11, IE10 Chrome: 48.0.2564.116 Firefox: 48.0.2 Edge: 42.17134.1.0
<b>Management Software</b>	Smart PSS; DSS; DMSS

## Certification

	CE-LVD: EN62368-1
<b>Certifications</b>	CE-EMC: Electromagnetic Compatibility Directive 2014/30/EU
	FCC: 47 CFR FCC Part 15, Subpart B
	UL/CUL: UL62368-1 & CAN/CSA C22.2 No. 62368-1-14

## Port

<b>Audio Input</b>	1 channel (RCA port)
<b>Audio Output</b>	1 channel (RCA port)
<b>Alarm Input</b>	2 channel in: 5mA 3V-5 VDC
<b>Alarm Output</b>	2 channels out: 1,000mA 30VDC/500mA 50 VDC

## Power

<b>Power Supply</b>	12 VDC/POE+ (802.3at)
	Basic: 6.5 W (12 VDC); 6.1 W (PoE)
<b>Power Consumption</b>	Max. (ICR + IR intensity): 13 W (12 VDC); 13.9 W (PoE)
	Heating: 3 W (12 VDC); 3 W (PoE)

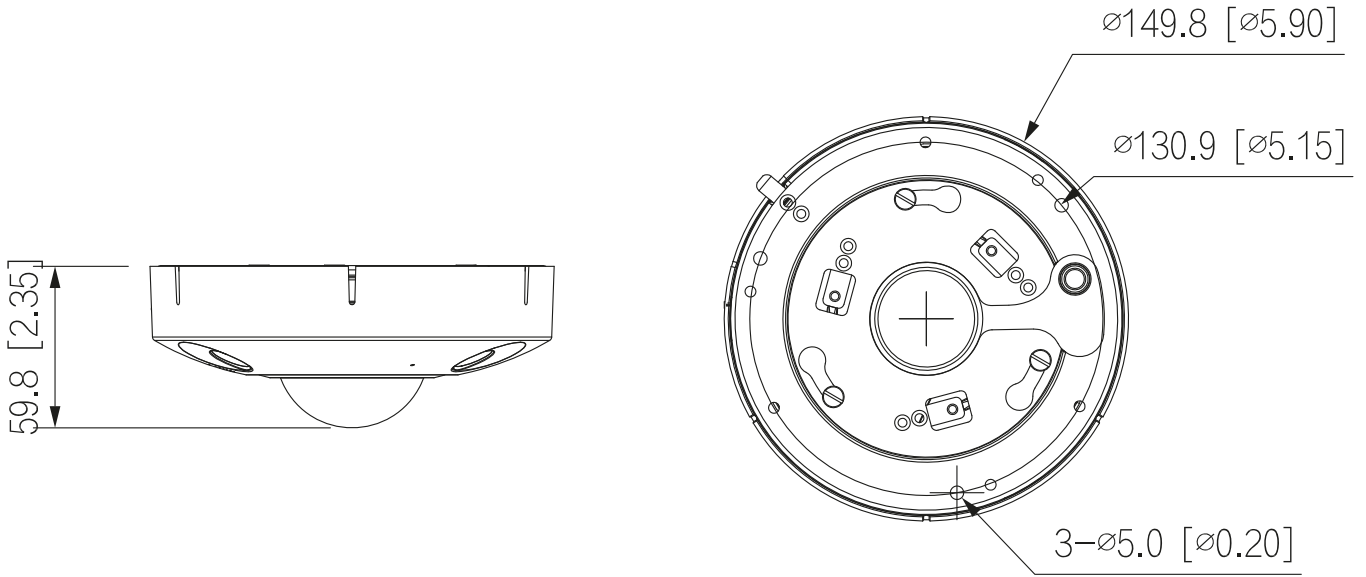
## Environment

<b>Operating Temperature</b>	-40 °C to +60 °C (-40 °F to +140 °F)
<b>Operating Humidity</b>	≤95%
<b>Storage Temperature</b>	-30 °C to +70 °C (-22 °F to +158 °F)
<b>Protection</b>	IP67; IK10

## Structure

<b>Casing</b>	Metal
<b>Product Dimensions</b>	59.8 mm × Φ149.8 mm (2.35" × Φ5.90")
<b>Net Weight</b>	0.79 kg (1.74 lb)
<b>Gross Weight</b>	1.12 kg (2.67 lb)

Dimensions (mm[inch])



All specifications are subject to change without notice. Copyright © Luxrite Ltd. All rights reserved