

# SPRO<sup>®</sup> IP

## DHD50/ARW/60-M

5MP Starlight IR Turret Camera  
With Motorized Lens



STARLIGHT

AOC

AUDIO OVER CO-AX

### Key Features:

- Max 25 fps@5MP (16:9 video output)
- 2.7 mm-12 mm motorized lens
- Built-in microphone
- Max. IR length 60 m, Smart IR
- IP67, 12V DC



## SPECIFICATIONS

<b>Model Number</b>	DHD50/ARW/60-M
<b>Image Sensor</b>	1/2.7 inch CMOS
<b>Max. Resolution</b>	2880 (H) × 1620 (V)
<b>Pixel</b>	5 MP
<b>Scanning System</b>	Progressive
<b>Electronic Shutter Speed</b>	PAL: 1/25 s-1/100,000 s; NTSC: 1/30 s-1/100,000 s
<b>S/N Ratio</b>	>65 dB
<b>Min. Illumination</b>	0.005 Lux/F1.6, 30IRE, 0 Lux IR on
<b>Illumination Distance</b>	60 m (196.9 ft)
<b>Illuminator On/Off Control</b>	Auto; manual

(continued)

(continued)

<b>Illuminator Number</b>	2
<b>Pan/Tilt/Rotation Range</b>	Pan: 0°–360°; Tilt: 0°–78°; Rotation: 0°–360°
<b>Lens</b>	
<b>Lens Type</b>	Motorized vari-focal
<b>Auto Focus</b>	N/A
<b>Mount Type</b>	φ14
<b>Focal Length</b>	2.7 mm - 12 mm
<b>Max. Aperture</b>	F1.6
<b>Field of View</b>	Diagonal: 39°–130° ; Horizontal: 34°–107° ; Vertical: 19°–55°
<b>Iris Type</b>	Fixed iris
<b>Close Focus Distance</b>	0.5 m (1.64 ft )

	<b>Lens</b>	<b>Detect</b>	<b>Observe</b>	<b>Recognize</b>	<b>Identify</b>
<b>DORI Distance</b>	<b>2.7 mm</b>	69 m (226.37 ft)	27.6 m (90.55 ft)	13.8 m (45.27 ft)	6.9 m (22.63 ft)
	<b>12 mm</b>	191.6 m (628.6 ft)	76.64 m (251.44 ft)	38.32 m (125.72 ft)	19.16 m (62.86 ft)

<b>Video</b>	
<b>Frame Rate</b>	CVI: PAL: 5M@25 fps; 4M@25 fps; 1080P@25 fps NTSC: 5M@25 fps; 4M@30 fps; 1080P@30 fps
<b>Resolution</b>	5M (2880 × 1620); 4M (2560 × 1440); 1080p (1920 × 1080); 960H (960 × 576/960 × 480)
<b>Day/Night</b>	Auto switch by ICR
<b>BLC</b>	BLC/HLC/DWDR
<b>WDR</b>	DWDR
<b>White Balance</b>	Auto; manual
<b>Gain Control</b>	Auto; manual
<b>Noise Reduction</b>	2D NR
<b>Smart IR</b>	Yes
<b>Mirror</b>	Off/On
<b>Privacy Masking</b>	Off/On (8 areas, rectangle)

(continued)

## Certifications

### Certifications

CE (EN55032:2015, EN 61000-3-2:2014, EN 61000-3-3:2013,  
EN55024:2010+A1:2015, EN 55035:2017, EN50130-4:2011+A1:2014,  
EN 62368-1:2014+A11:2017) FCC (CFR 47 FCC Part 15 subpartB,  
ANSI C63.4-2014) UL (UL60950-1+CAN/CSA C22.2 No.60950-1)

## Port

### Audio Input

One channel built-in-mic

### Video Output

BNC

## Power

### Power Supply

DC 12V  $\pm$ 30%

### Power Consumption

Max 6.6W (12V DC, IR on)

## Environment

### Operating Temperature

-30°C to +60°C (-22°F to +140°F); < 95% (non-condensation)

### Storage Temperature

-30°C to +60°C (-22°F to +140°F); < 95% (non-condensation)

### Protection Grade

IP67

## Structure

### Casing

Metal throughout the whole casing

### Camera Dimensions

$\phi$ 122 mm  $\times$  104.8 mm ( $\phi$ 4.80"  $\times$  4.13")

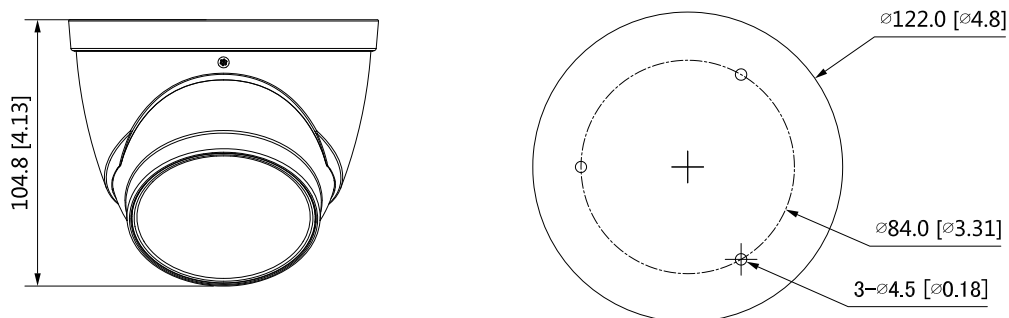
### Net Weight

0.57 kg (1.26 lb)

### Gross Weight

0.72 kg (1.59 lb)

## Dimensions (mm [ inch] )



All specifications are subject to change without notice. Copyright © Luxrite Ltd. All rights reserved